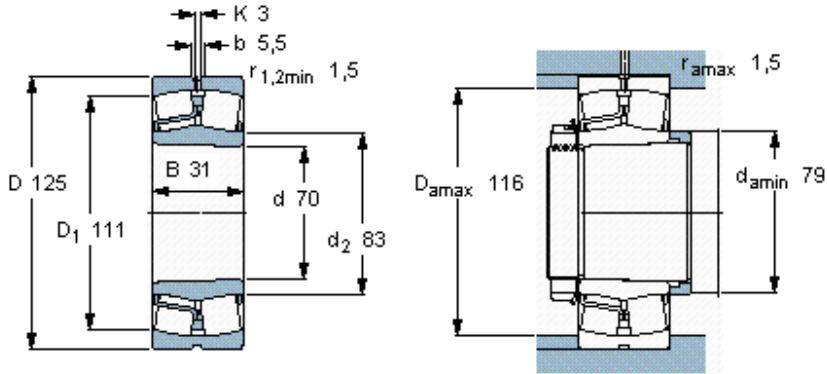


Spherical roller bearings, cylindrical and tapered bore

Principal dimensions			Basic load ratings		Speed ratings		Designation
d	D	B	dynamic C	static C0	Reference speed	Limiting speed	* SKF Explorer bearing
mm			kN		r/min		
70	125	31	213	228	5000	6700	22214 EK *



Tapered bore, taper
1: 12

Calculation factors

- e 0,23
- Y_1 2,9
- Y_2 4,4
- Y_0 2,8